

# Technical Systems

MARKET LEADER IN  
FEED CONVEYING



## STANDARD CORNER UNIT AND RAISED CORNER UNIT

*MANAGING YOUR  
FEED DISTRIBUTION  
WITH FLEXIBILITY*

[www.technicalsys.com](http://www.technicalsys.com)  
[info@technicalsys.com](mailto:info@technicalsys.com)  
Tel: +27 21 949 9191  
Cape Town, South Africa

# CU-TS 90° STANDARD CORNER UNIT AND RAISED CORNER UNIT

## CU-TS Corner unit

Technical Systems' Corner unit will provide a trouble-free operation in a feeding system, to distribute feed evenly, rapidly and reliably throughout any feeding configuration.

Technical Systems offers different unit sizes: Standard and Raised Corner Units.

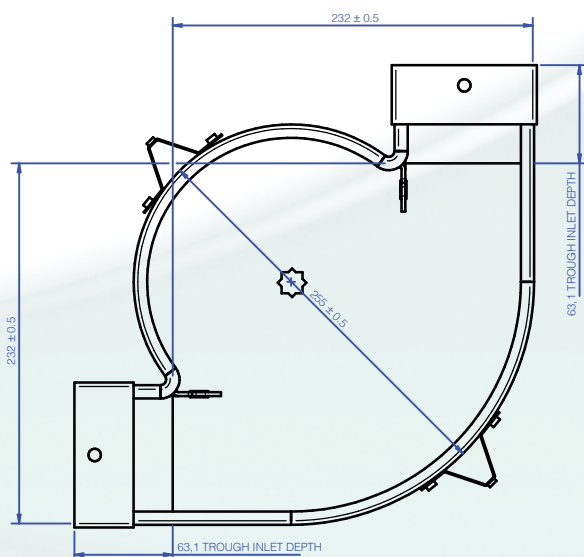
The CU-TS offers the following benefits to the user:

- Improved shaft, with square locator to eliminate the risk of the shaft unscrewing
- Hardened cast iron wheel
- Flange on bottom of the wheel to promote chain elevation, reducing wear on the base plate
- Self-lubricating PET bush
- No lubrication required
- Rust prevention layers on the shaft
- Rust prevention layers in the epoxy coating process
- Transparent lid for durability and improved visibility within the corner unit
- Improved link leveller rail system

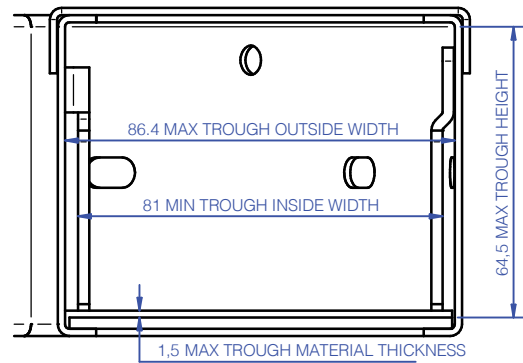
The corner unit integrates with most universally accepted trough systems.

### Additional information

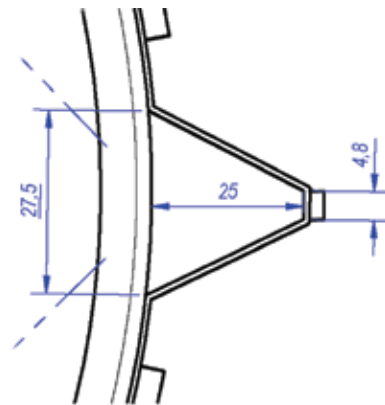
- Customizable packing configurations i.e. can be added to our current product range by filling the space to maximize container space
- Customizable to market requirements i.e. colour & logos
- Parts available to sell: Cover, Body, Wheel assembly (with wheel and shaft)
- Trough inlet:
  - 86.4 mm max trough outside width
  - 81 mm min trough inside width
  - 64.5 mm maximum trough height



## CORNER UNIT DIMENSIONS



## DETAIL TROUGH INLET



## MAX LEGSTAND TO FIT UNIT

## Packing on Standard CU-TS Corner Unit

### Units Standard Pallets

#### Units

1 box = 2 units maximum

### Palletising types

1 x mini pallet = 24 boxes of 48 units  
 1 x half pallet = 54 boxes of 108 units  
 1 x full pallet = 132 boxes of 264 units

1 x 20 ft (6 m) container = 10 pallets  
 Total of 2,640 units as maximum per 1 x 20 ft (6 m) container

Please enquire about packing combinations to maximise container loads, and raised Corner units.

## Combined Shipments of Feed Chain, Corner units and Auger - a competitive advantage!

To optimise container space usage, and to reduce shipping cost per unit, we offer various methods of packaging.

Including MINI Pallets that can be inserted into Auger pallets, thus making the most of all available container space.

Please enquire about packing combinations.

Visit [www.technicalsys.com](http://www.technicalsys.com) for more specifications.