



*MANAGING YOUR
FEED DISTRIBUTION
WITH FLEXIBILITY*

CHAIN FEEDING

Technical Systems

**MARKET LEADER IN
FEED CONVEYING**

www.technicalsys.com
info@technicalsys.com
Cape Town, South Africa

CHAIN FEEDING

Feed Chain

Feed Chain is Technical Systems' flagship product, by supplying the most reliable flat Feed Chain. You can rely on Technical Systems' Feed Chain to distribute feed evenly, rapidly and reliably throughout any feeding configuration.

Characteristics, dimensions and specifications:

- A minimum of 13.5kN tensile strength.
- No twisting, vibrating or "empty" spots.
- No elongation of material after installation.
- Hardness: 48 - 50 HRc
- Links per 10 m: 236 links (+/- 2 links)
- Pitch: 42.4 mm (+/- 0.35 mm)
- Material Thickness: 2.5 mm
- Chain Width: 70 mm - Type S & C Models
42.86 mm - Type P Models

Packing

Standard Pallets - TYPE S & C

Metres

- 1 x 6 m container = 20 pallets
- 1 x pallet = 1,080 m
- 108 rolls x 10 m per pallet
- Total of 21,600 m per 1 x 6 m container

Feet

- 1 x 20 ft container = 20 pallets
- 1 pallet = 3,600 ft
- 144 rolls x 25 ft per pallet
- Total of 72,000 ft per 1 x 20 ft container

Mini Pallets - TYPE S & C

Combined with Auger models to maximise container loads

Metres

- 1 x 6 m container = 20 pallets
- 1 x pallet = 520 m
- 52 rolls x 10 m per pallet
- Total of 10,400 m per 1x 6 m container

Feet

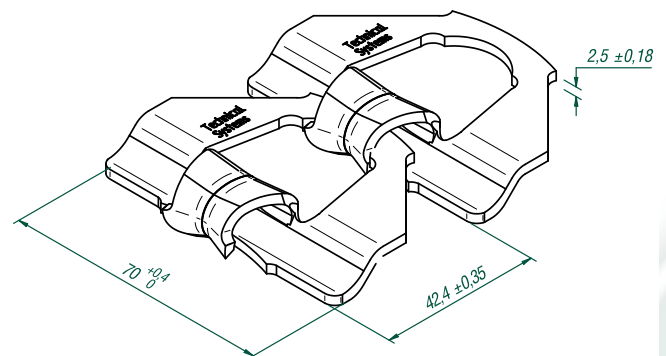
- 1 x 20 ft container = 20 pallets
- 1 x pallet = 1,200 ft
- 48 rolls x 25 ft per pallet
- Total of 24,000 feet per 1 x 20 ft container

Please enquire about **TYPE P** packing configurations to optimise your shipping.

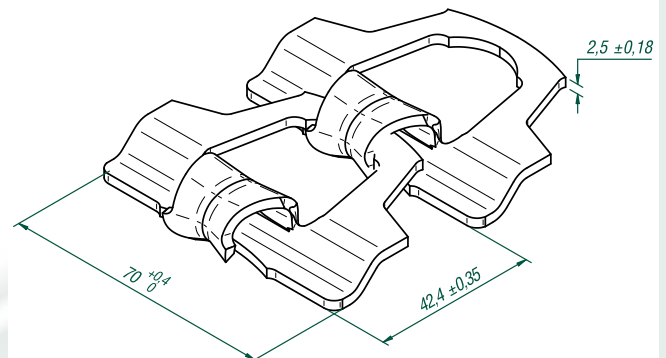
Combined Shipments of Feed Chain and Auger - a competitive advantage!

To maximise shipments and assist with your flexibility, "mini pallets" of Feed Chain can be packed inside the Auger Coils. This allows for full containers of Auger, combined with half containers of Feed Chain at no additional shipping costs, thus maximising utilisation and driving down unit costs.

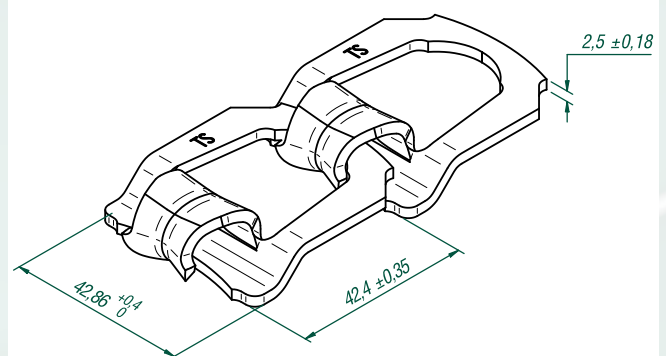
Please enquire about packing combinations.
Visit www.technicalsys.com for more specifications.



TYPE S



TYPE C



TYPE P